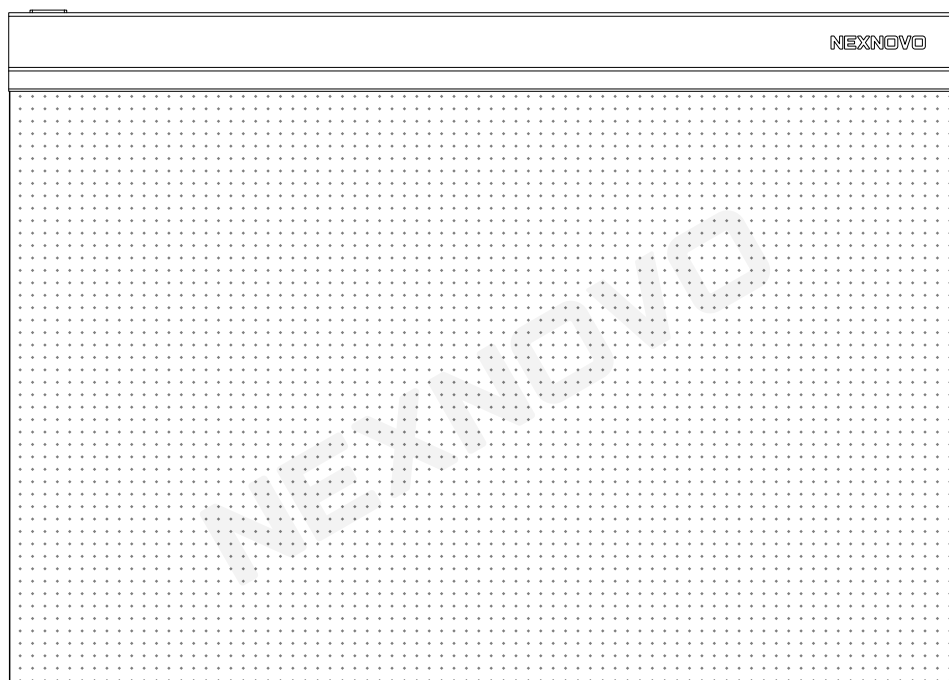


NexEsign Installation and User guide

(Version: V2.0)



NEXNOVO[®]
for next innovation

Contents

Safety Information	01
NexEsign	03
List of NT Accessories	03
NexEsign Introduction	03
Knowing the NexEsign	04
NexEsign Installation	05
For a Single Panel	05
Multiple NexEsign Hanging	06
Attaching the Control system	08
System Control Diagram of Single NT Panel	08
System Control Diagram of Multiple NT Panels	08
Maintenance	09
Packaging	10
NexPlayer User Manual	11
NexPlayer Accessories	11
Knowing the NexPlayer	11
How to connect and use the NexPlayer	12
APP operation instructions	13
APP Summary	13
Download and operation of the APP	13
Download and Installation	13
Account Register	13
Account Login	13
User Guide	14
Add Device	14
Device Connected with Internet	15
User Instructions of the APP Software	15
Instructions for using the portal web management system	16
System Overview	16
System usage flow	16



Warning!

Safety Information

Read below safety information before powering or servicing this product.

The following symbols are used to identify important safety information on the product and in this manual:



Safety information



Protection from electric shock



Protection from fire



Hot surface



Protection from injury



Power system



Important Warnings

NexEsign should be installed under the guidance of professional technician.

This product presents risks of severe injury or death due to fire hazards, electric shock.



Safety Information

Read this manual closely before installing, powering or servicing this product, follow the safety precautions listed below and observe all warnings in this manual and printed on the product.

Amateur serviceman are not allowed to open cabinet and dismantle accessories inside.

If you have questions about how to operate the panel safely, please contact your supplier.



Protection From Electric Shock

Connect the product to AC mains power within the range 100-240V nominal at 50 or 60 Hz only.

Always ground (earth) the product electrically.

Before using the product, check that all power distribution equipment and cables are in perfect condition and rated for the current requirements of all connected devices.

Do not use the product if the power cable or a power plug is in any way damaged, defective or showing signs of overheating.

Do not attempt to open any cover.

Refer any service operation not described in this manual to a qualified technician.



Protection From Fire

Fire Prevention Measures

Do not stick filters, masks or other substances on the product.

If not mentioned in this manual, the product cannot be changed at will.

Replacement accessories that are not mentioned in this manual cannot be installed and used inside or on the surface of this product.

If the ambient temperature of the power supply unit exceeds 70°C (158°F), it is forbidden to operate this product with maximum load.



Protection From Injury

Prevent injury

If the hanging method is adopted, the cabinet should be installed from the top during installation, and then the other cabinets should be installed downward. When unpacking the box, remove the first box at the bottom and then remove the other boxes one by one.

If a seated installation is used, the assembly and disassembly are performed in the reverse order.



Important Warnings

Maximum and Minimum Ambient Temperature:

The maximum ambient temperature for the LED wall is 50 °C; the minimum temperature is -20 °C.

High leakage current:

In order to avoid risk of electric shock due to high leakage current, proper grounding of the installation is required.

Before operation, please check and ensure power cord and connector are intact.

Protection from water:

This product is not waterproof and prohibited to be used at water-pouring places.



Power System

Power System

Mains cords:

They are not user Serviceable. If the power cords are damaged, replace them only with new ones. Never try to repair a power cord.

Data cables:

The data cables provided with this system have special properties for safety.

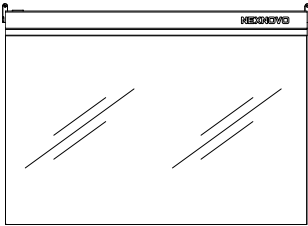

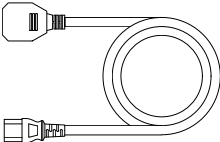
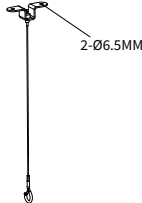
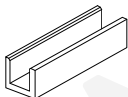
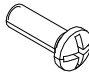
The data cables used for NexEsigns is CAT5.

They are not user serviceable. If the data cables are damaged, replace them only with new ones. Never try to repair a data cable.

The length of a data cable must not exceed 100 m (332 feet). Avoid exposure of data cables to accidental contact with lightning or power conductors.

NexSign

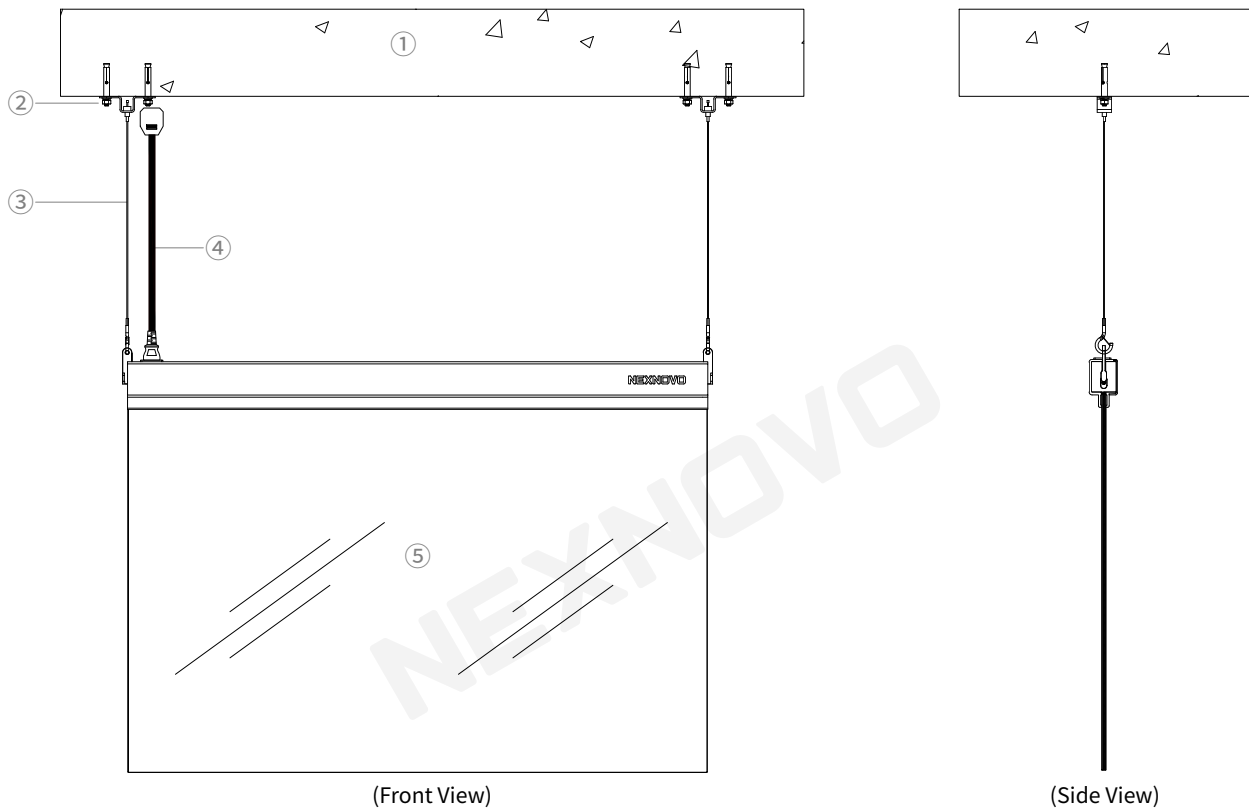
List of the NexSign Accessories

A	<p>NEX-NT-001</p>  <p>NexSign Panel</p>	B	<p>NEX-NT-002</p>  <p>Hanging adaptor</p>
C	<p>NEX-NT-003</p>  <p>Power cord:3*0.75mm² (2A 400W)</p>	D	<p>NEX-NT-004</p>  <p>Adjustable hanging wires(φ1.5mm*2000mm)</p>
E	<p>NEX-NT-005</p>  <p>Multi-pieced anti-swing rubber strip</p>	F	<p>NEX-NT-006</p>  <p>Phillips head screws</p>

NexSign Introduction

NT series are glass LED signs with ultra-high transparency, using integrated-IC and glass Nano film circuits technology. Supported by a smartphone APP and web portal for maximum control. Edit and manage the content of all your NexSigns in your network via the Nex-Cloud system. It's a new generation high-tech Electronic signs which will bring customer experiences, upgrades and innovations to the older generation signage.

Knowing the NexEsign



1. Concrete layer

2. Anchor screws

3. Adjustable hanging wire system

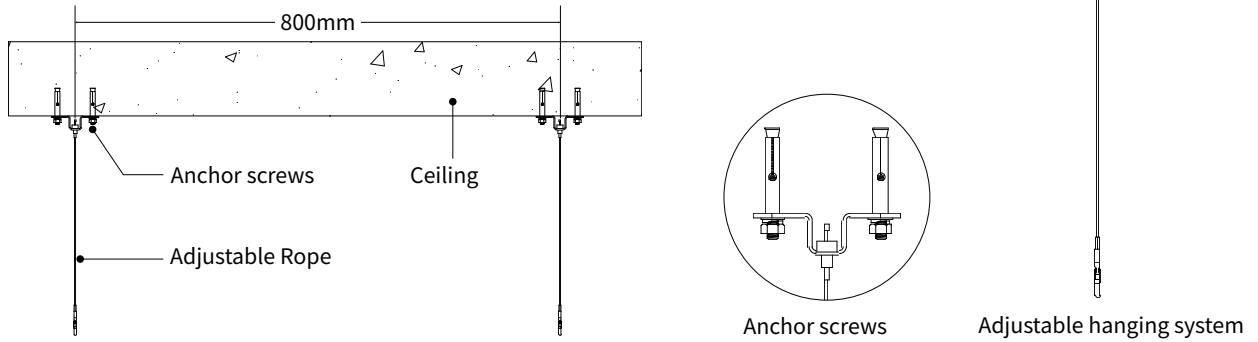
4. Power cord

5. LED panel

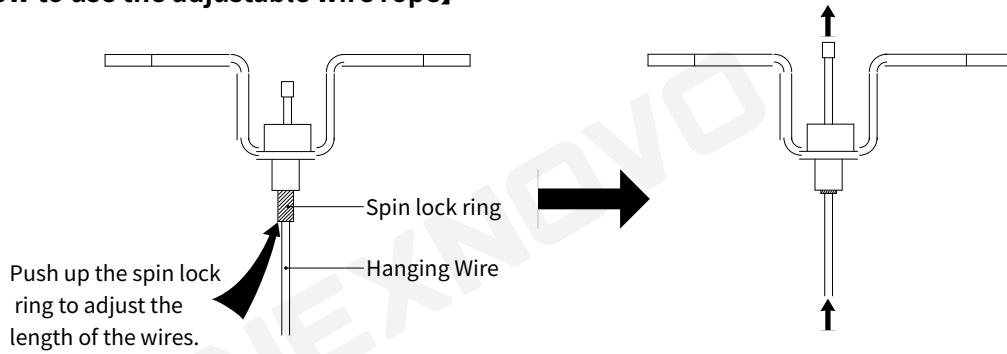
NexEsign Installation

For a single panel

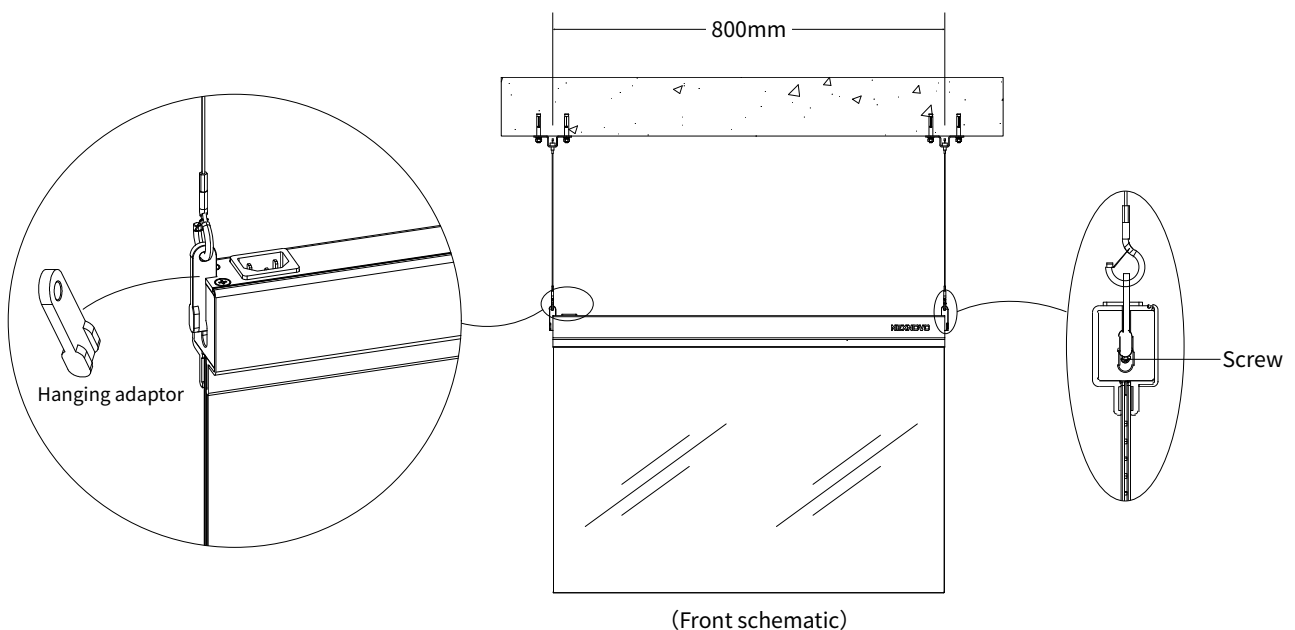
1. Insert the anchor screws through the hanging system and fix it on the ceiling according to the dimensions as the below figure..



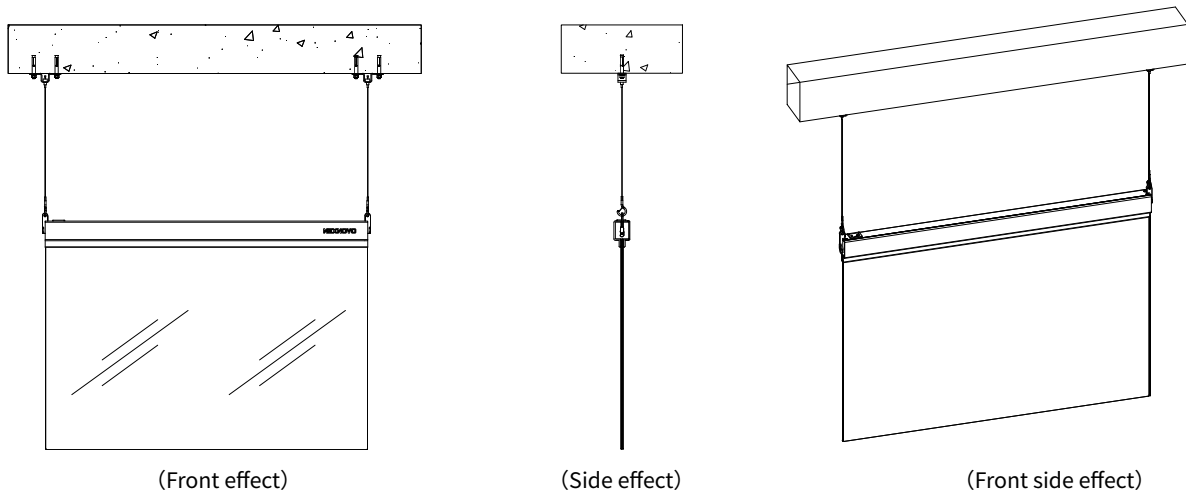
[How to use the adjustable wire rope]



2. Attached the NexEsign to the hanging wires by using the hooks as shown below.

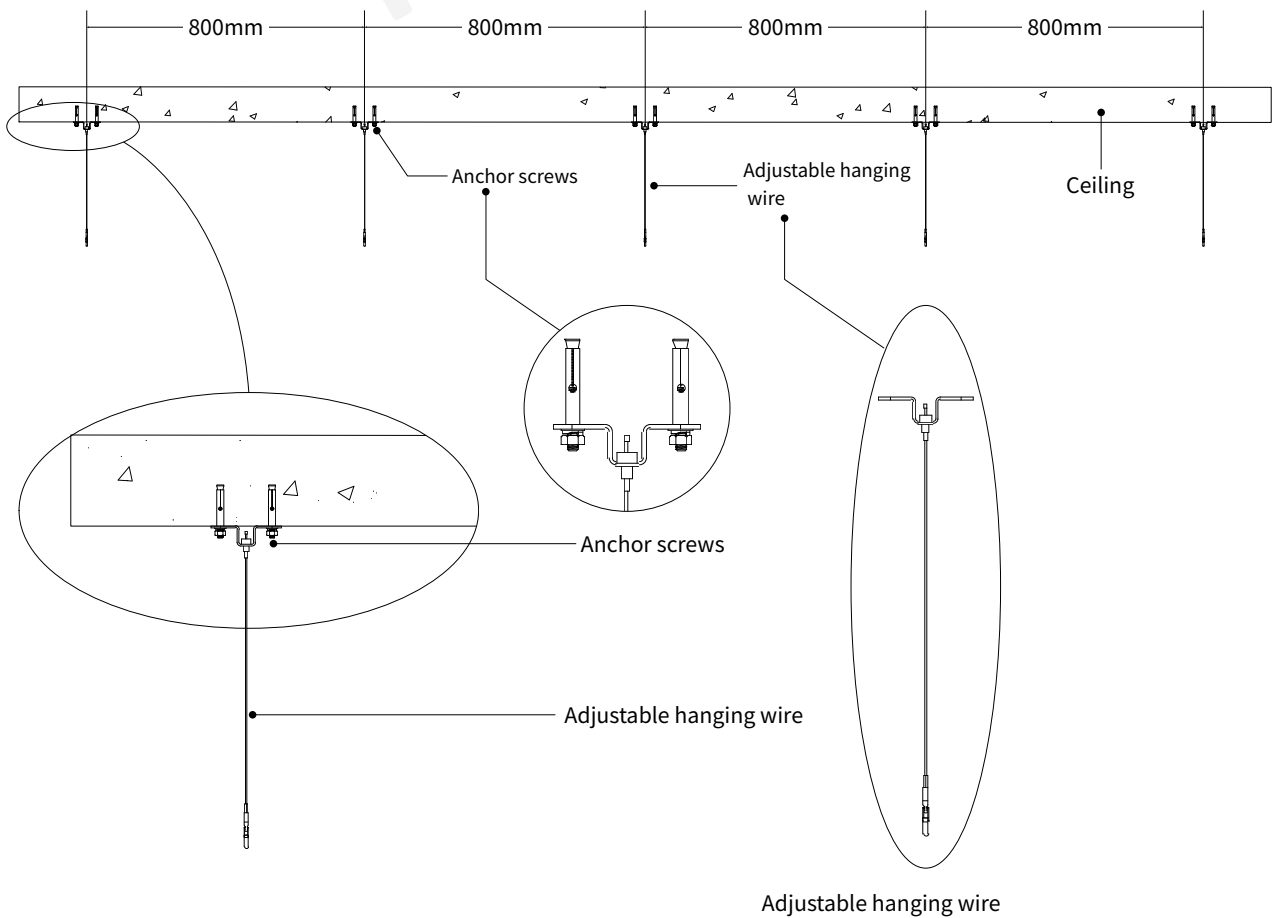


3. Finished installation outlook.

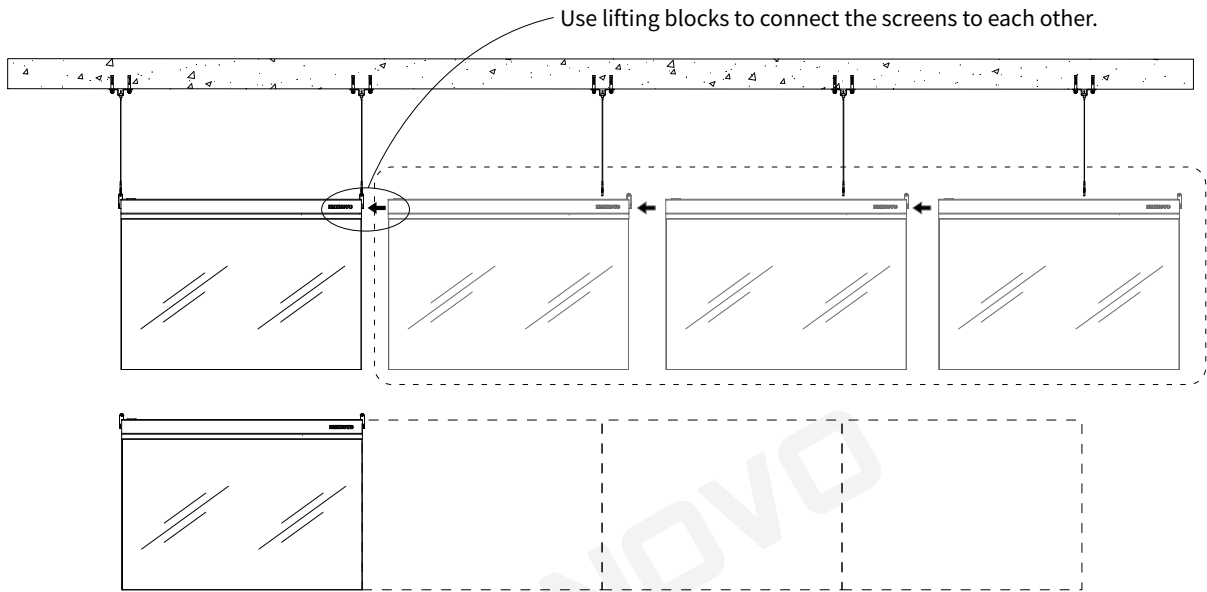


Multiple NexEsign

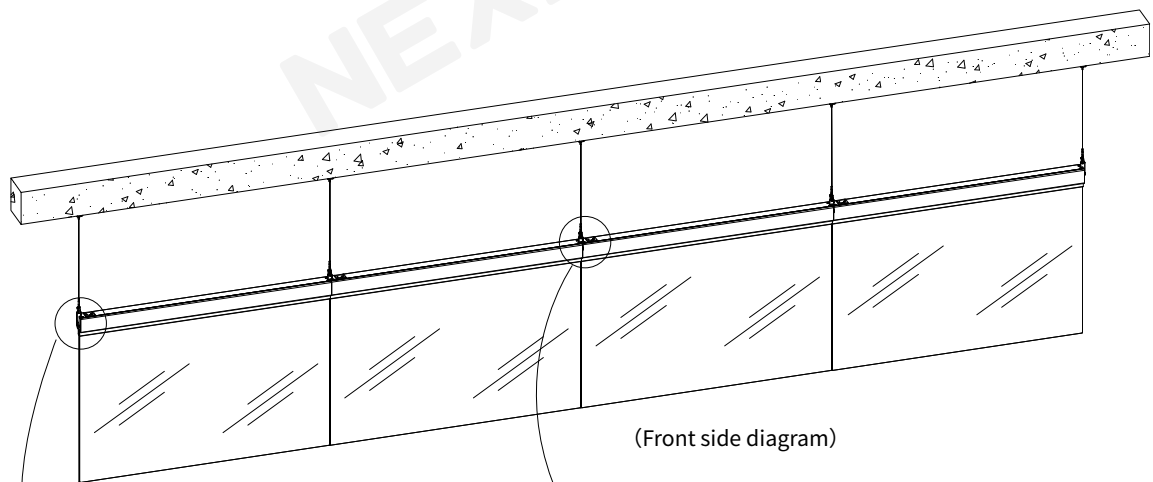
1. Insert the anchor screws through the hanging system and fix it on the ceiling according to the dimensions as the below figure.



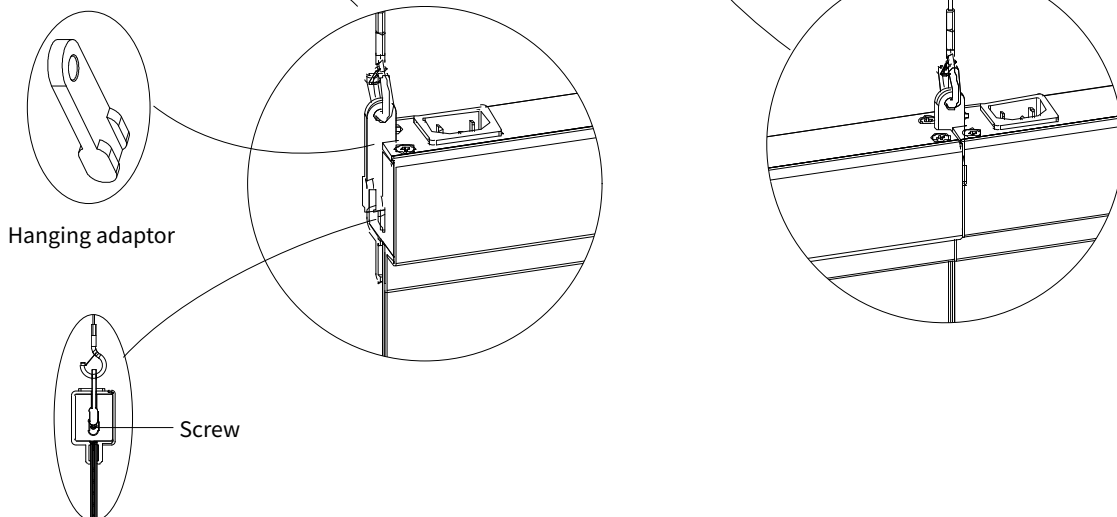
2. Hang the hook of the adjustable sling on the lifting block, and connect the screens with the lifting block; when splicing multiple screens, you need to follow the order from left to right.



Multi-screen body splicing from left to right (front schematic)



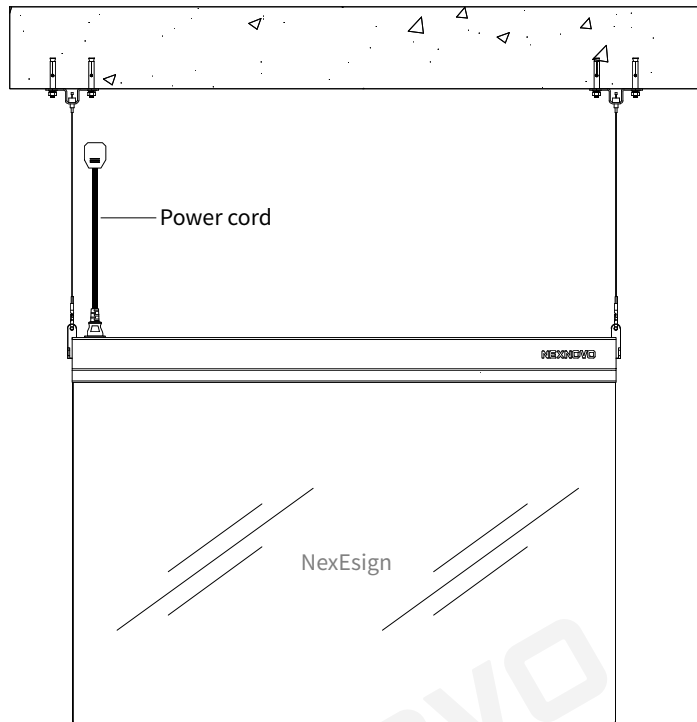
(Front side diagram)



Attaching the control system

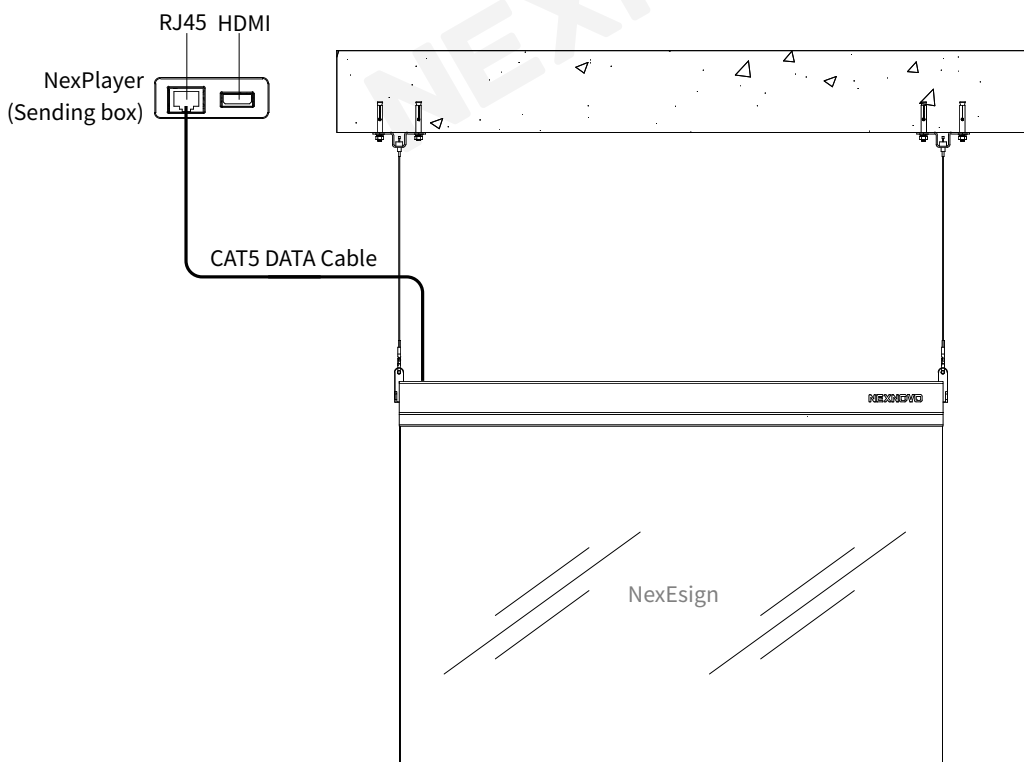
Control system diagram of single NT panel

1. Power connection.



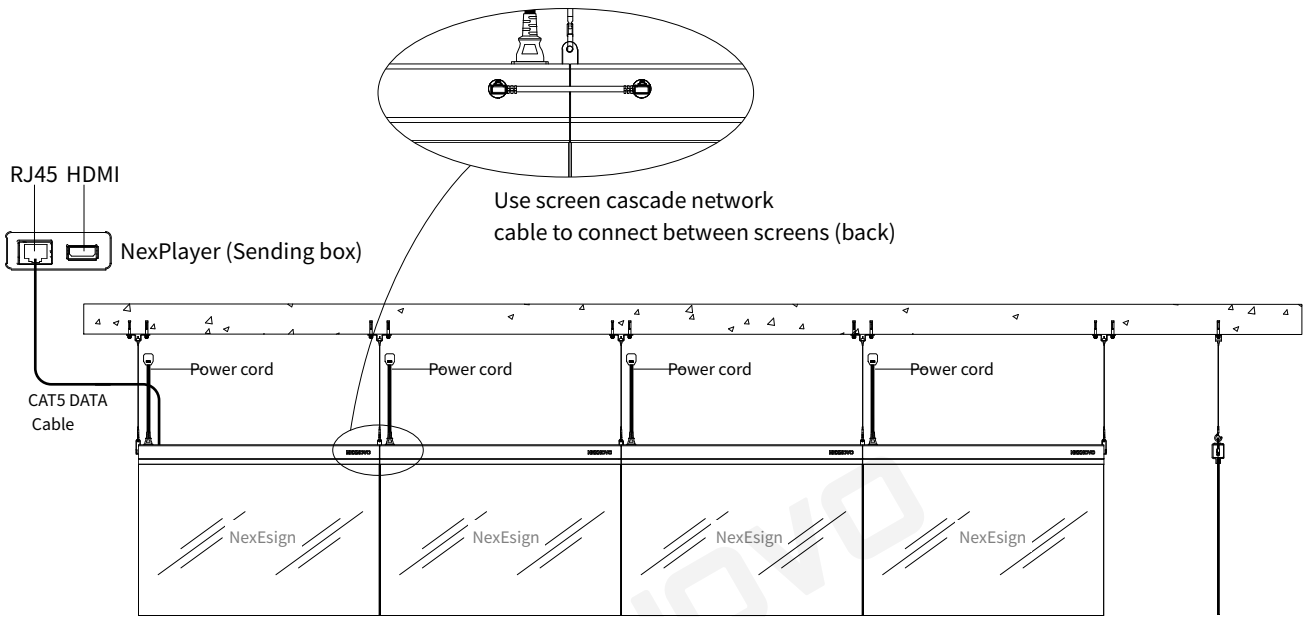
(Wiring diagram of the front of the screen)

2. Data connection.



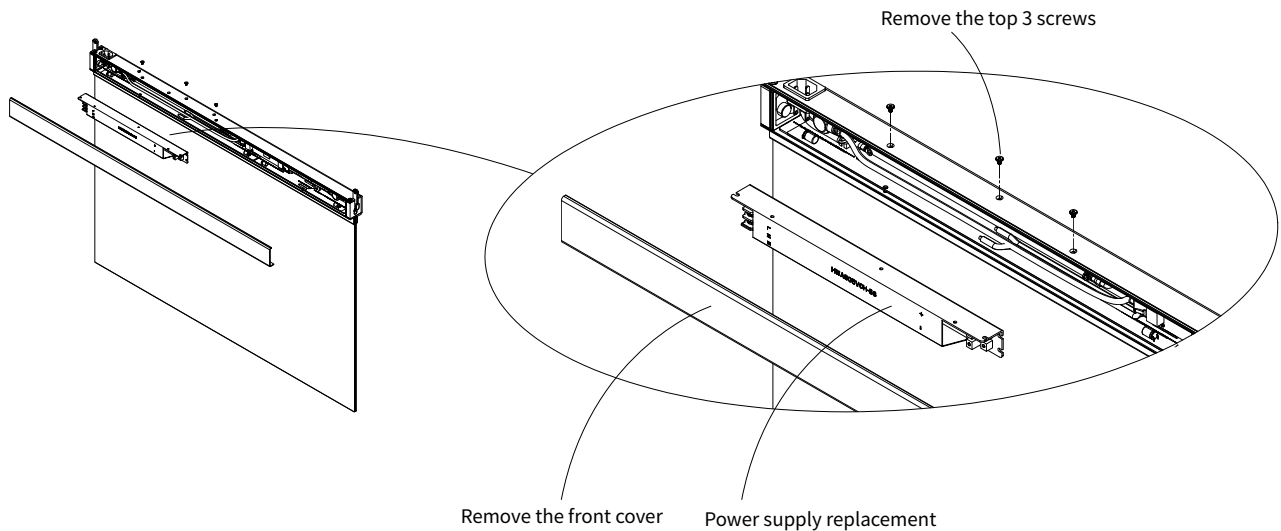
(Wiring diagram of the front of the screen)

Control system diagram of multiple NT panels

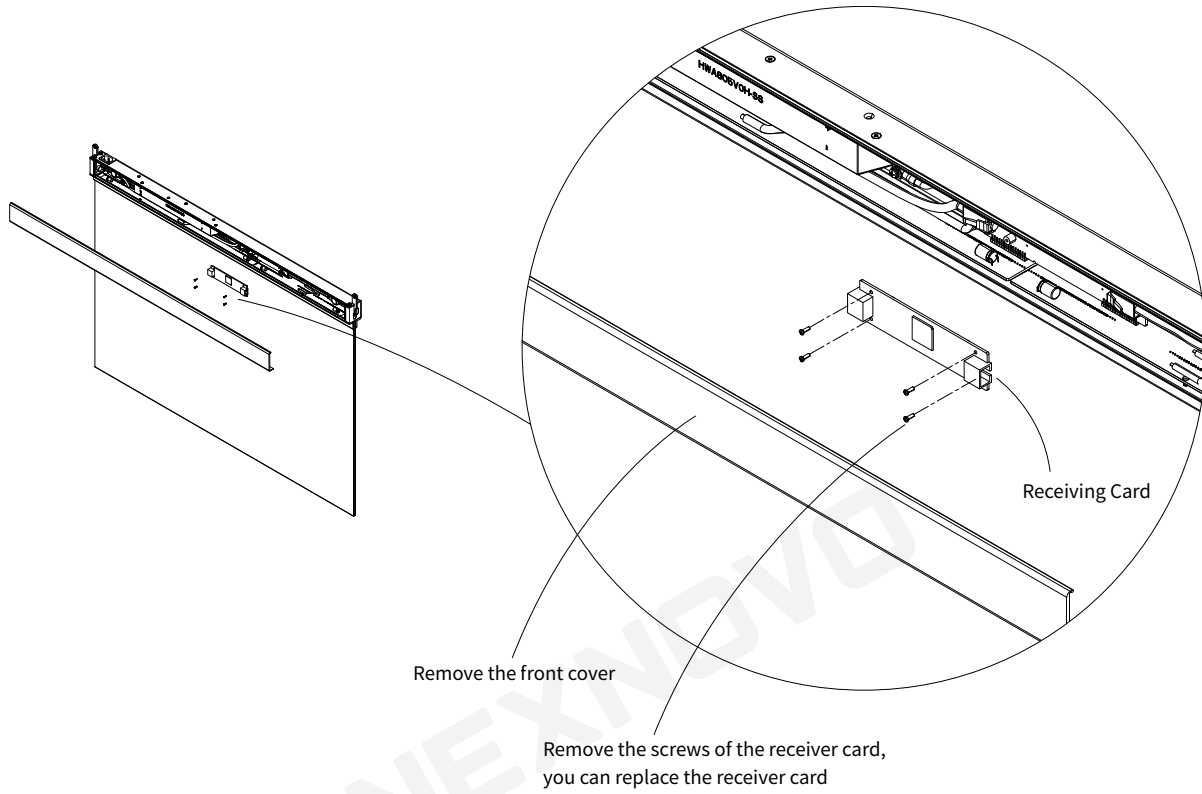


Maintenance

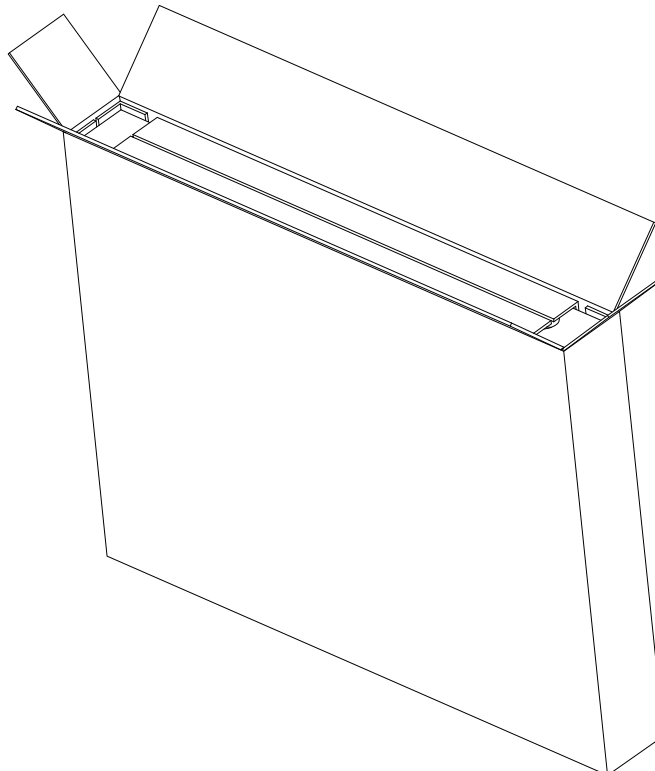
1. Remove the rear cover and the 3 screws at top and back, then replace the power supply.



2. Remove the front cover and screws, then replace the receiving card.

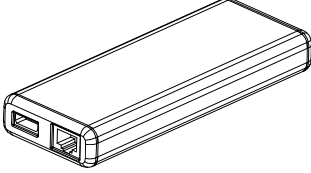
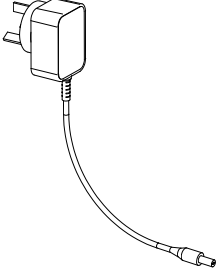
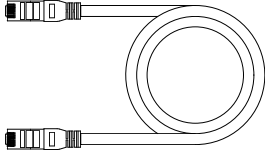
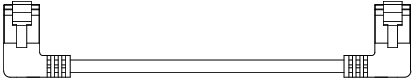
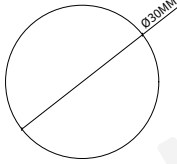
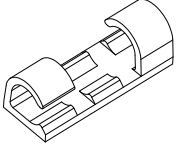


Packaging

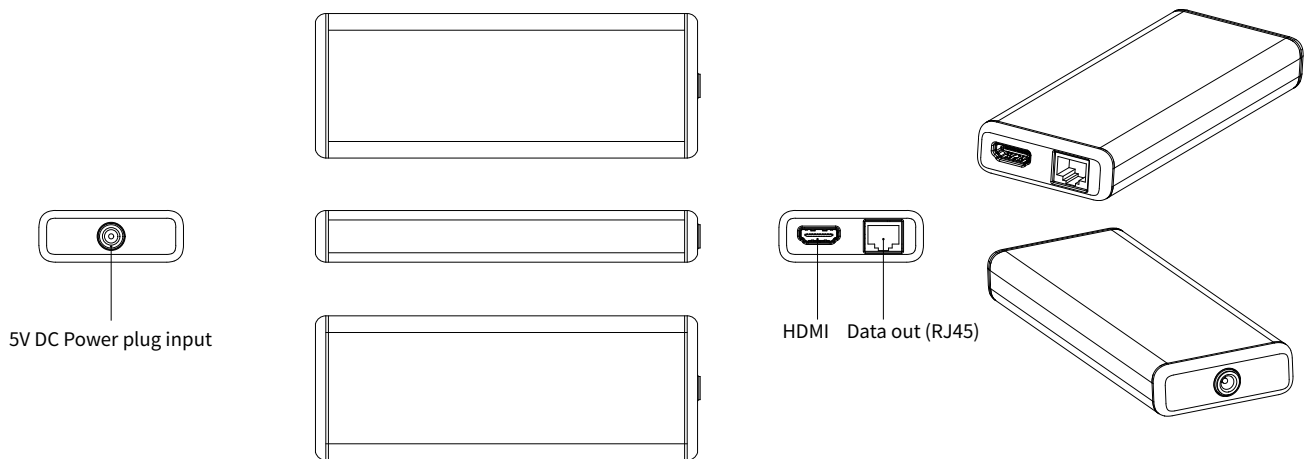


NexPlayer (Sending Box) User Manual

List of accessories

A	<p>NEX-NT-001</p>  <p>NexPlayer (Sending box)</p>	<p>NEX-NT-002</p>  <p>Adapter:5V 2A</p>
C	<p>NEX-NT-003</p>  <p>5m DATA cable</p>	<p>NEX-NT-004</p>  <p>Screen cascade network cable</p>
E	<p>NEX-NT-005</p>  <p>Dual adhesive tape</p>	<p>NEX-NT-006</p>  <p>Cable Clamp</p>

Knowing the NexPlayer

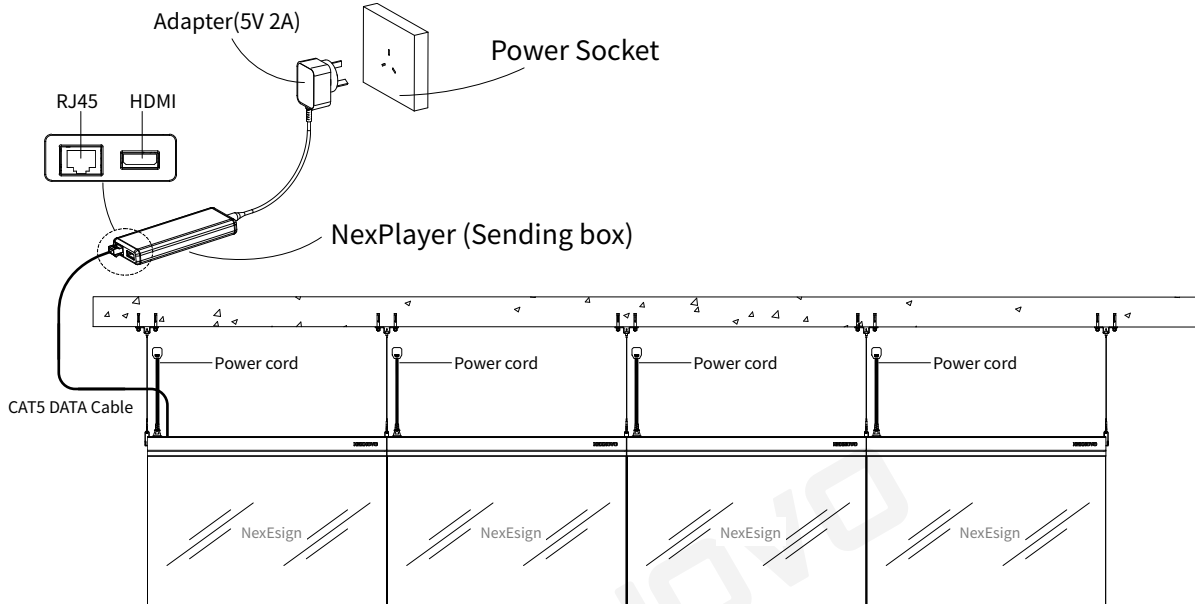


How to connect the NexPlayer (Sending box)

[Option 1]

Asynchronous use of the send box:

The transmitter box is used asynchronously, providing power through the adapter, and the transmitter box transmits to the screen through the network cable.

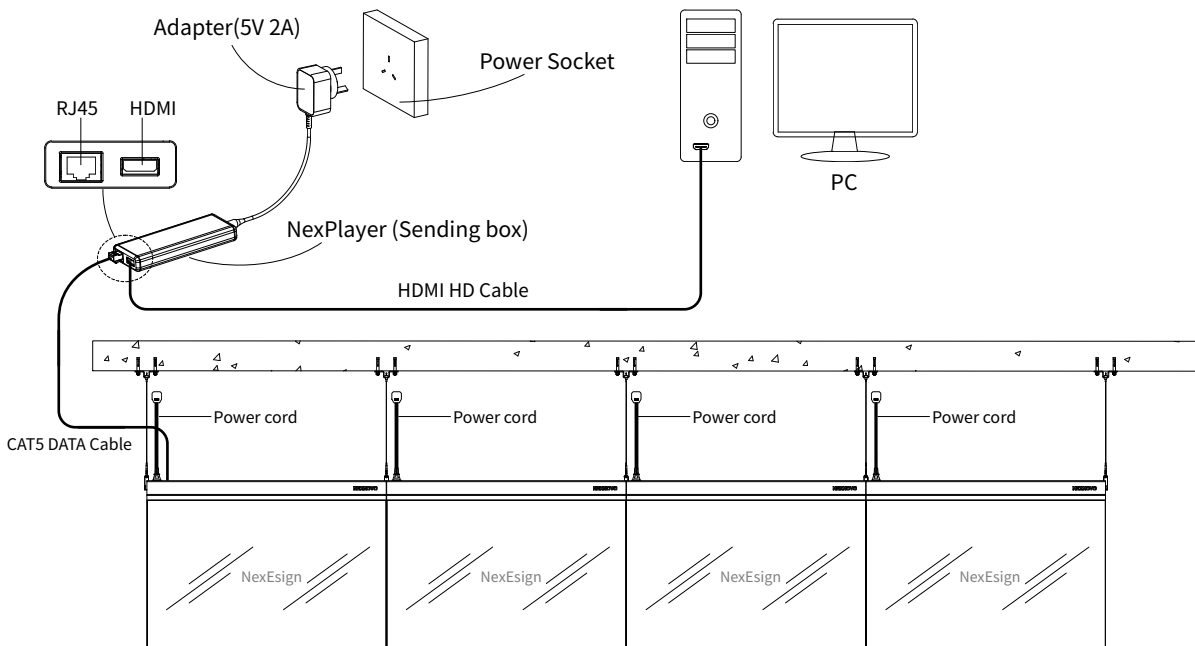


(Wiring diagram of the front of the screen)

[Option 2]

Synchronous use of the sending box:

When using the synchronous playback function, connecting HDMI port in sending box with external playback devices, and then turn on HDMI option on the APP.



(Wiring diagram of the front of the screen)

APP Operation Instructions

APP Summary

The software is mainly used for cloud control, content creation and management of your NexEsign glass screen or network.

It consists of four primary functions: playback, storage, editor and account management. In addition to playback functions, the platform provides editable content templates.

Making your content adapted to your needs and imagination!

Download and config of the NexCloud APP

[Download and installation]

IOS users can search “Nexposter” or “NEXNOVO” through the App Store to download and install; Android users can search “NexCloud” or “NEXNOVO” through the Google Play to download and install.

You can also scan the below QR codes through your mobile browser to download and install it.



Google Play



App Store



NexCloud

[Account Register]

Click the "NextCloud" icon to enter the login registration interface; Select "No account? Create account" to enter the registration interface; After filling in the real personal information and carefully reading the terms of service and privacy policy, select "Create Account" to register an account; After successful registration, it will automatically jump to the login interface.

[Account Login]

There are two ways to log in to the NexCloud APP: account password login, Facebook account login.

① Account password login

Enter the registered account and correct password in the login interface to log in; if the account password is entered incorrectly 3 times, you will need to enter a security verification code.

② Facebook account login

Users can select “FACEBOOK” in the login interface as a method to validate access. When using for the first time, you need to select “Bound existing account” – The next time you log on with your Facebook account, you will have access to login to the NexCloud APP.

According to the type of device scanned; If you click to skip the guide page and do not scan any device, you need to select an operation mode and enter the corresponding operation interface.

[User Guide]

① Opening page

When logging in for the first time, the App will pop up with an initial page; At the bottom of this page, there is a function to scan and add devices (Screens / NexEsigs) the software will activate / include the corresponding product which has been scanned. Locate it, then select, you will then be prompt to scan the QR code on the device (Screen / NexEsig) you wish to add.

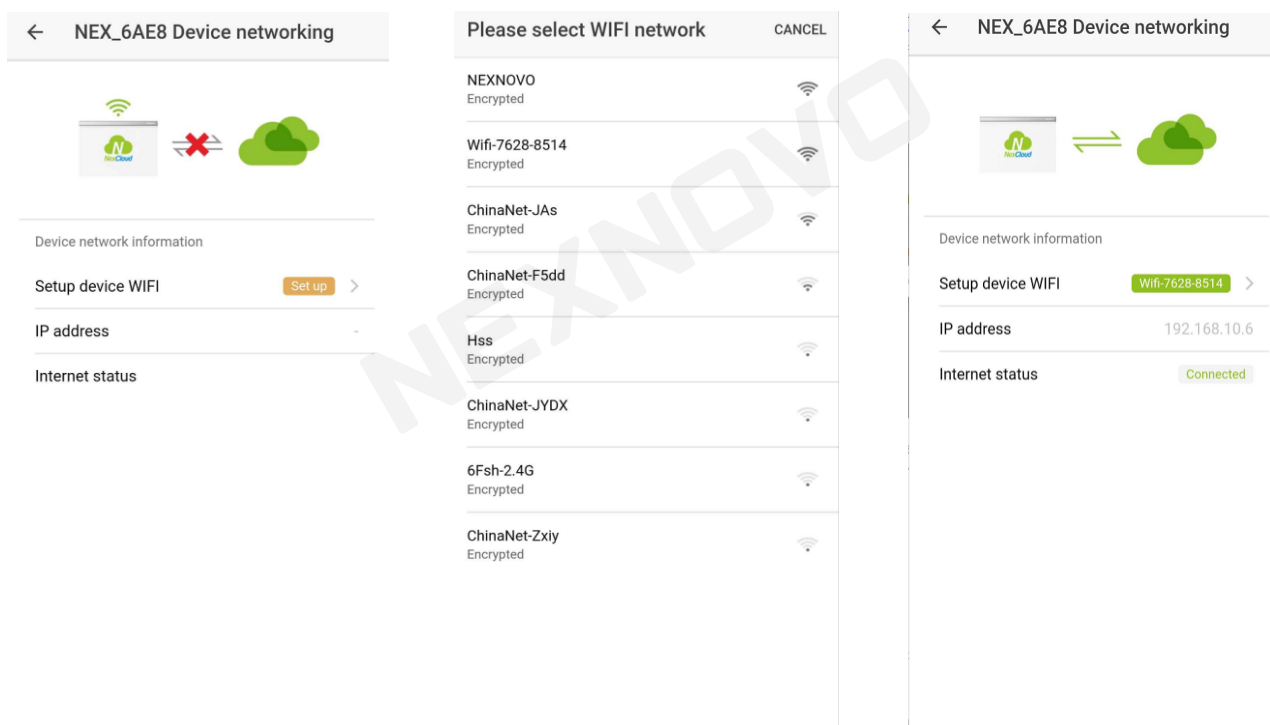
② Device network configuration

When adding a new device using the scan function, after the device is successfully scanned, the user can select "Setup now" to connect the device to a Wi-Fi network in order to link it to the NexCloud system; or select "Setup later", you can later configure the network for a specific device in "Account-Device" section of the APP.


Device configuration, attaching your NexEsig to the cloud.

Step 1: Once your device has been scanned and added to list of devices on the APP, a prompt will be shown, select "Setup now" You will also be given the choice of setting up your device later if you prefer. Please make sure your phone's Wi-Fi and location (GPS) is " on "

Step 2: Configure the network for the device. Select "Setup" in the device network configuration.



Step 3: After completing the network configuration, you can use the device when you see it online.

 When the phone can not let the transmitter automatically connect to the network, you need to let the APP remain in the device management interface, then please jump to the system WIFI list to manually connect to the transmitter's hotspot (password is 12345678), and then return to the APP device management interface to continue to complete the network configuration.

[Add Device]

 Operation guide, steps are as follows:

Step 1:

Method 1: Select "Account", select Devices to enter the device management interface on the right "⊕";

Method 2: In the "Play" function interface, select Devices to enter the device management interface on the right "⊕";

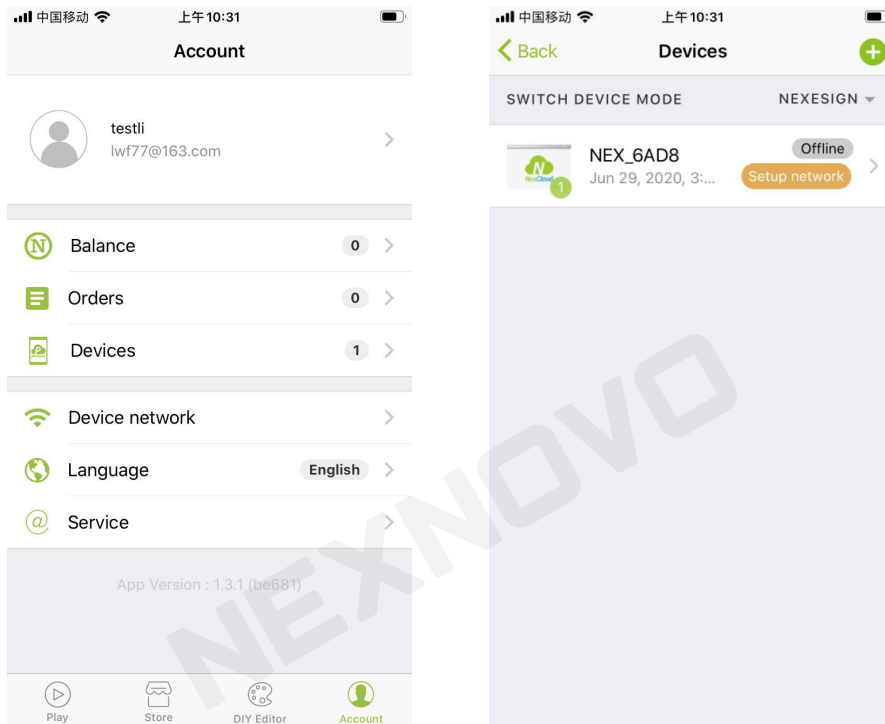
Step 2: You can add devices in two ways;

Method 1: On the "QR Code" interface, use the mobile camera to scan the QR code on the device to add the device;

Method 2: Select the "ENTER" button on the upper right, and the "Activate Device" input window will pop up, manually input the 12 alphanumeric characters behind the SN in the QR code on the device, such as 98F4AB6D6AF0, add the device;

[Device Connected with Internet]

In addition to configuring the network when adding a device, you can also configure the network for offline devices in the Account-Devices management interface. The configuration process is the same as the process of adding a new device configuration network.



For more detailed information on the NEXNOVO software APP, please refer to NEXNOVO's Website. Follow the below link – (INSERT QR CODE)



Instructions for using the portal web management system

System Overview

This system is mainly used for the cloud broadcast control and content production of NEXNOVO's transparent screen. It is mainly composed of four major functions such as managing devices, managing program contents, playing and managing accounts. In addition to the playback control functions in the general management system, this management system also provides DIY editing services for advertising content suitable for your products, providing better advertising services for your products.

System usage flow

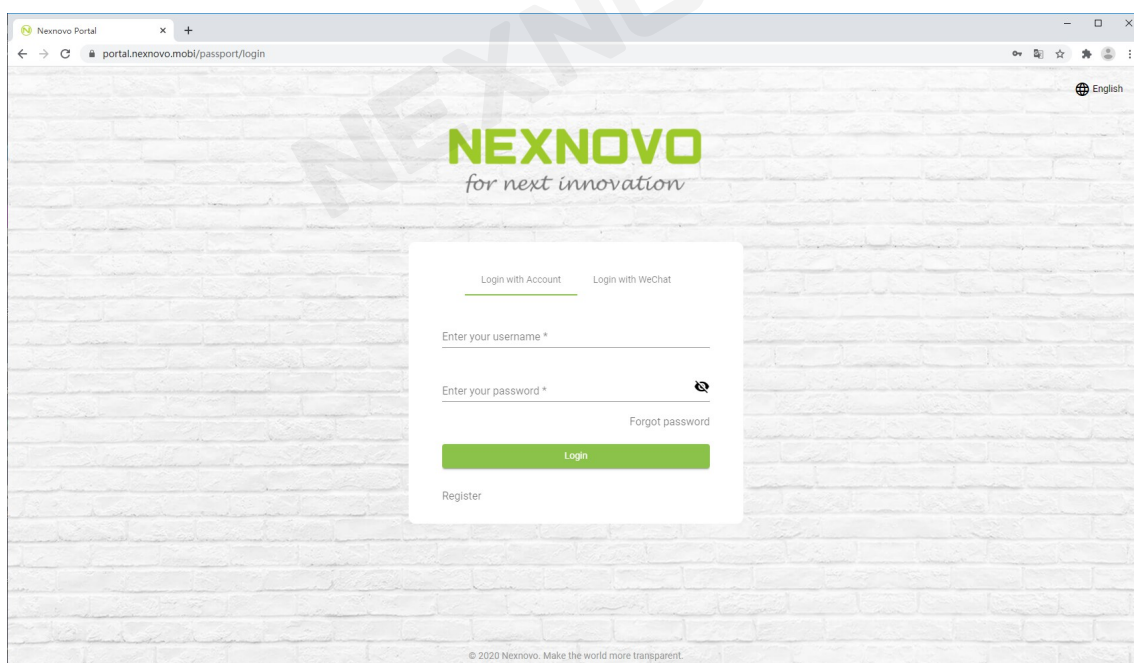
[Register for a personal user account]

Users need to register their personal user accounts in the portal web system login registration interface or nexcloud app registration interface.

[Login System]

Login System Platform URL: <http://portal.nexnovo.mobi>, Open in the URL bar of your browser and log in with your company administrator or user account and password in the login screen.

In the login screen, users can choose the account password to log in to the system, or they can choose the third party login: WeChat login.

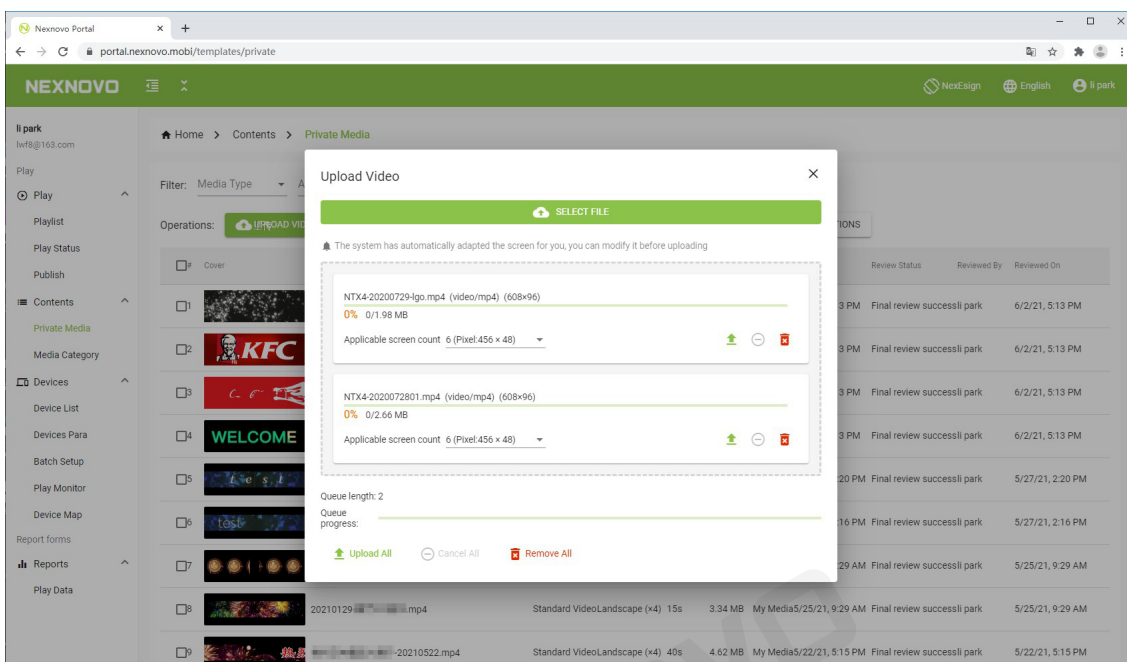


[Adding Devices]

Select "Activate" on the "Device List" page under the "Device menu" , enter the 12-digit combination of letters and numbers after the SN on the device label in the pop-up box input field, and then select "OK" to activate the device. If the newly activated device is "offline", please connect the device to the available network in "Account - Device - Select offline device to configure network" in the nexcloud app. It can be used normally only when the device status is "online".

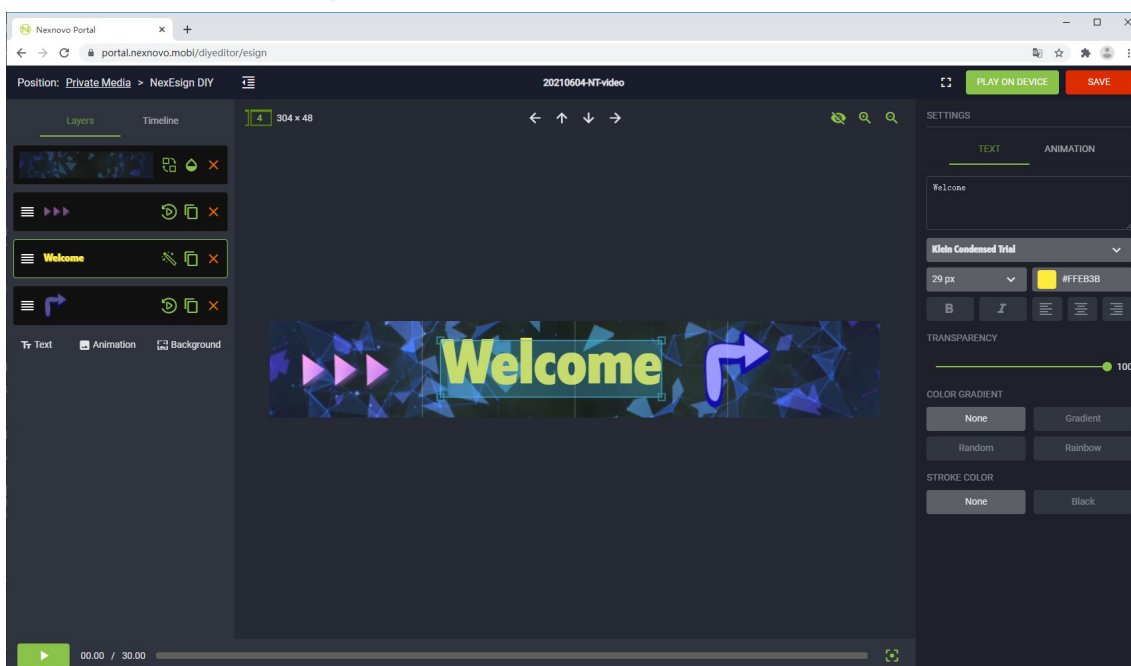
[Upload program]

Select "Upload Video" on the "My Programs" page under the "Content" menu, click "Select File" in the pop-up interface to select a local video mp4 format file for upload preparation, after the video is added to the "Upload My Programs" interface, select "Upload All" to upload one or more video files, select "Finish" after all uploads are completed to make sure the upload is complete.



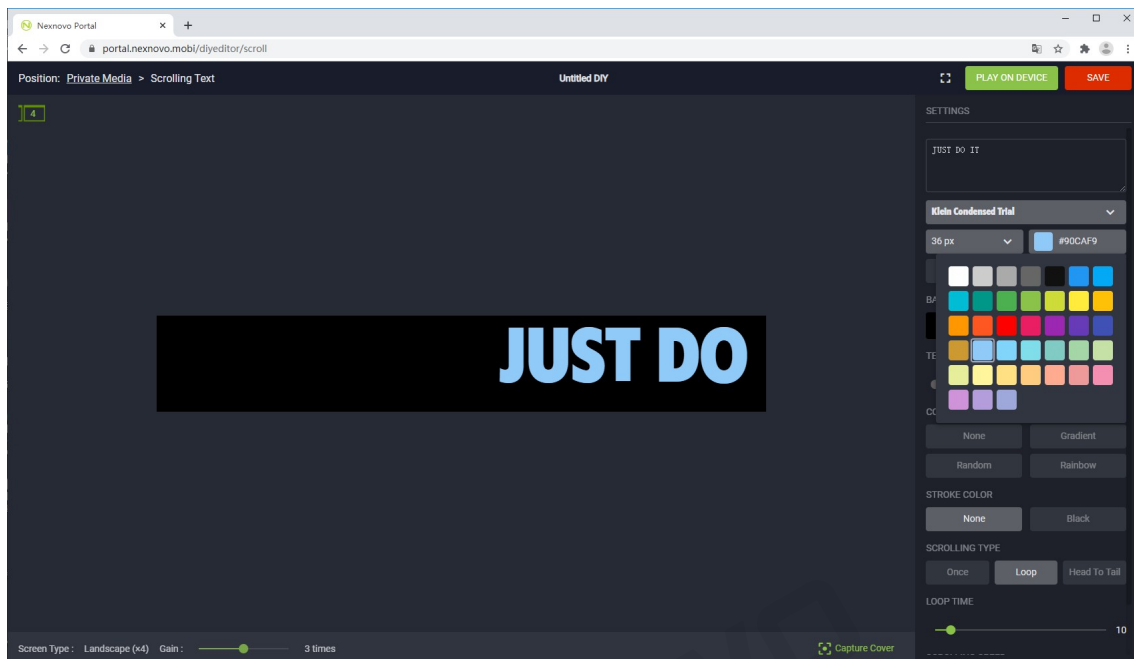
[Add DIY programs]

In the "My Programs" page under the "Content" menu, select "Add DIY Programs", click the corresponding screen number in the pop-up interface, click "OK" and enter the "DIY" interface to select "Add Text", "Add Animation", "Set Background" to personalize your video program, and click "Save" in the upper right corner to save your program after making it.



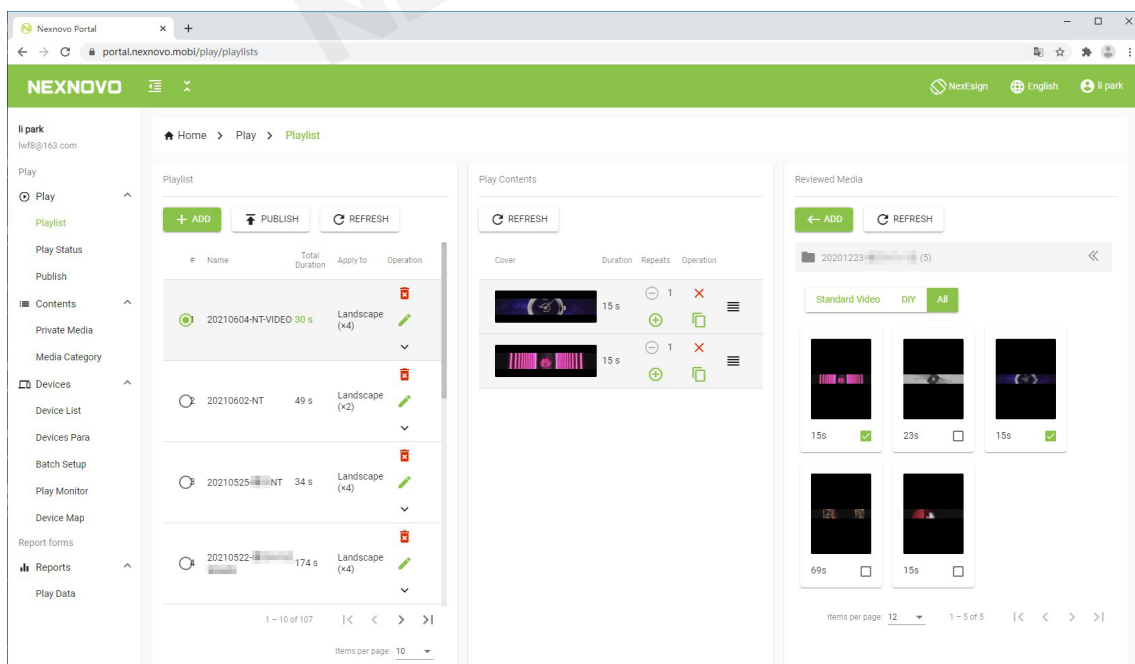
[Add a walking word program]

In the "Content" menu under the "My Programs" page, select "Add Word Program", click on the corresponding number of screens in the pop-up interface, click "OK" and enter the "Word Text Interface", enter the scrolling text in the "Word Text Interface", and you can also choose the font, set the text size and color lights, as well as the scrolling type and the number of cycles, etc., and click "Save" in the upper-right corner to save your program after making it.



[Add a program]

Select "Add" in the "Program List" page under the "Play" menu, enter the name and description of the program list in the pop-up box input field and select "OK" to complete the creation of the program list, then select the newly created program list, and add the program that needs to be played to the program list in the "Audited Programs" interface.

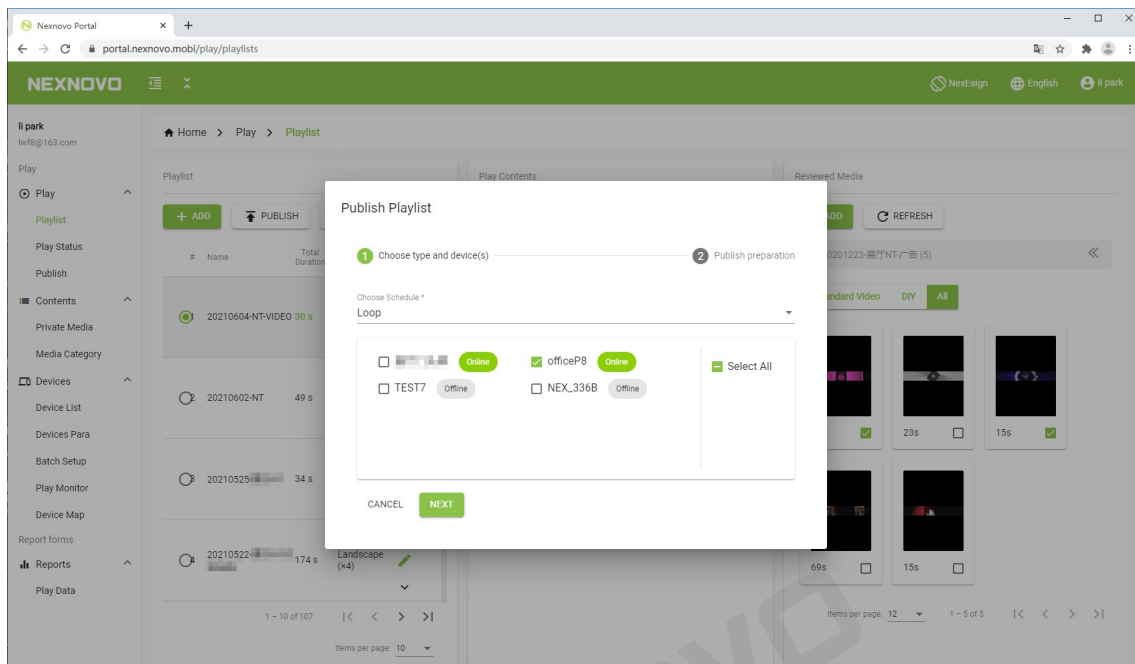


[Program Listings in Device Preview]

(The device must be online): Select the program list (not empty) under the "Playback" menu, then select "Push" and choose the type of playback: single/loop. Select the "Online" device you want to preview and then select "NEXT". Select "Confirm Push" in the push preparation screen, and after the device returns the push result as "Success", you can view the preview effect on the "Online" device screen of the push.

[Release Programs]

Play by program list. Select the device you want to play on the "Publish Program" screen under the "Playback" menu, then select "Next", and in the Play by List mode screen: select the program you want to play (in Select the device you want to play (loop on the device). Select "Next" after selecting the playlist; select "Push" in the release screen and wait for the device to push the result, then return to "Success" and check playback content on the online device screen on the push.



For Portal Web management system, please consult the relevant staff of NEXNOVO Technology to provide a more detailed system manual.

NEXNOVO[®]
for next innovation

NEXNOVO TECHNOLOGY CO, LTD

www.nexnovo.com